

Indoor | Recessed | Low output up to 100lm



## Key applications

- ✓ Cabinet & furniture
- ✓ Display case
- ✓ Interior
- ✓ Retail display
- ✓ Shelving display
- ✓ Under cabinet

## Key features

- ✓ Adjustable
- ✓ Diffusion: spoting
- ✓ Dry area
- ✓ Form factor: micro
- ✓ Glare control options
- ✓ High lumen efficacy
- ✓ IP20
- ✓ Lensed
- ✓ Output low: 1-500lm

# HALO Snoot

## Specification sheet



500mA

1.5W

≤ 67  
lm/W

IP20

L80 B20  
> 50000hRoHS  
CompliantLM79  
TestedLM80  
Tested

<b>Dimension</b>	H56.5/Ø42mm (H2.22/Ø1.65 in)
<b>Chip</b>	Nichia
<b>Beam angle</b>	10°~60°(Adjustable)
<b>Colours</b>	<b>hcc-line</b> 3000K/4000K
<b>Bin/Step</b>	<b>hcc-line</b> 3-step MacAdam ellipse
<b>CRI</b>	≥90
<b>Lifetime</b>	50,000 hours @ 25°C (50,000 hours @ 77°F)
<b>Operating temp</b>	T <sub>a</sub> = -20 to 35°C (T <sub>c</sub> max = 60°C) T <sub>a</sub> = -4 to 95°F (T <sub>c</sub> max = 140 ° F)
<b>IP rating</b>	IP20
<b>Finish</b>	Black Anodized
<b>Cover/lens</b>	10°~60°(Adjustable)
<b>Mounting</b>	Recessed mounting
<b>Power feed</b>	Hardwire tails
<b>Control</b>	Constant Current



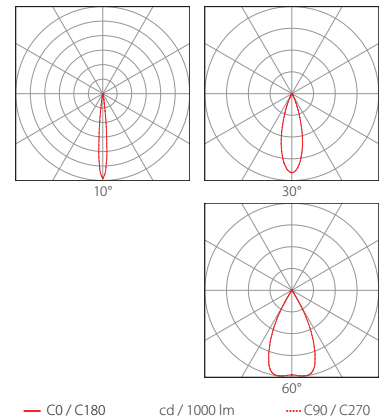
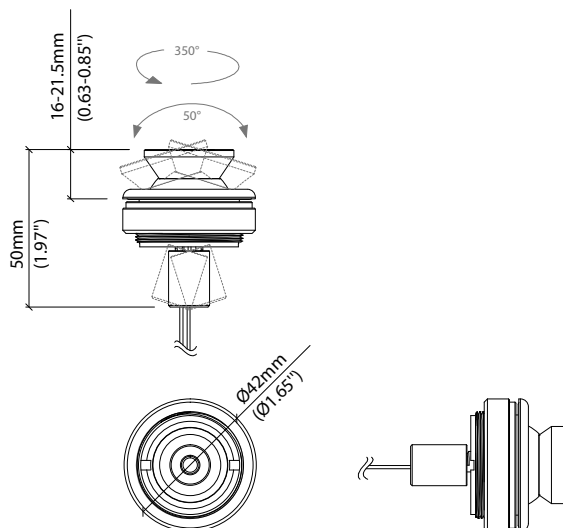
### PERFORMANCE DATA @ 3000K

Power consumption	Supply voltage	Supply current
1.5W	3V DC	0.5A

### Adjustable(@65°)

CRI R9 Rf Rg

**hcc-line** 100lm  
67lm/W



Data derived from independent UKAS/IESNA LM-79-08 accredited testing of production samples.

# HALO Snoot

## Code Table



### FIXTURE

Model	Finish	Cover	Grade	Colour (CCT)	IP	Cable Length	Power Feed	Lens	Control Type	Input											
HALO Snoot	OEHS	Black Anodised	BA	No Cover	X	h <sup>CS</sup>	h	3000K	30	IP20	20	1000mm (39.4in)	1000	Single no sheath tail	S00X	Adjustable (10-60°)	A6	No Controller	5	Constant Current (DC)	a
								4000K	40												

### Code Example:

OEHS	-	BA	-	X	-	h <sup>CS</sup>	-	30	-	20	-	1000	-	S00X	-	A6	-	5	-	a
HALO Snoot		Black Anodised		No Cover		h <sup>CS</sup>		3000K		IP20		1000mm (39.4in)		Single no sheath tail		Adjustable (10-60°)		No Controller		Constant Current (DC)

### LED ENGINE VARIANTS (LED STRIP TYPE)

Luminaire	Output	Lumen/module	W	Spec Doc	Dimension
HALO Snoot	Low	100	1.5	HALO Snoot	H56.5/ø42mm H2.22/ø1.65 in

\* Performance data: hcc-line, Adjustable @ 65°, 3000K